

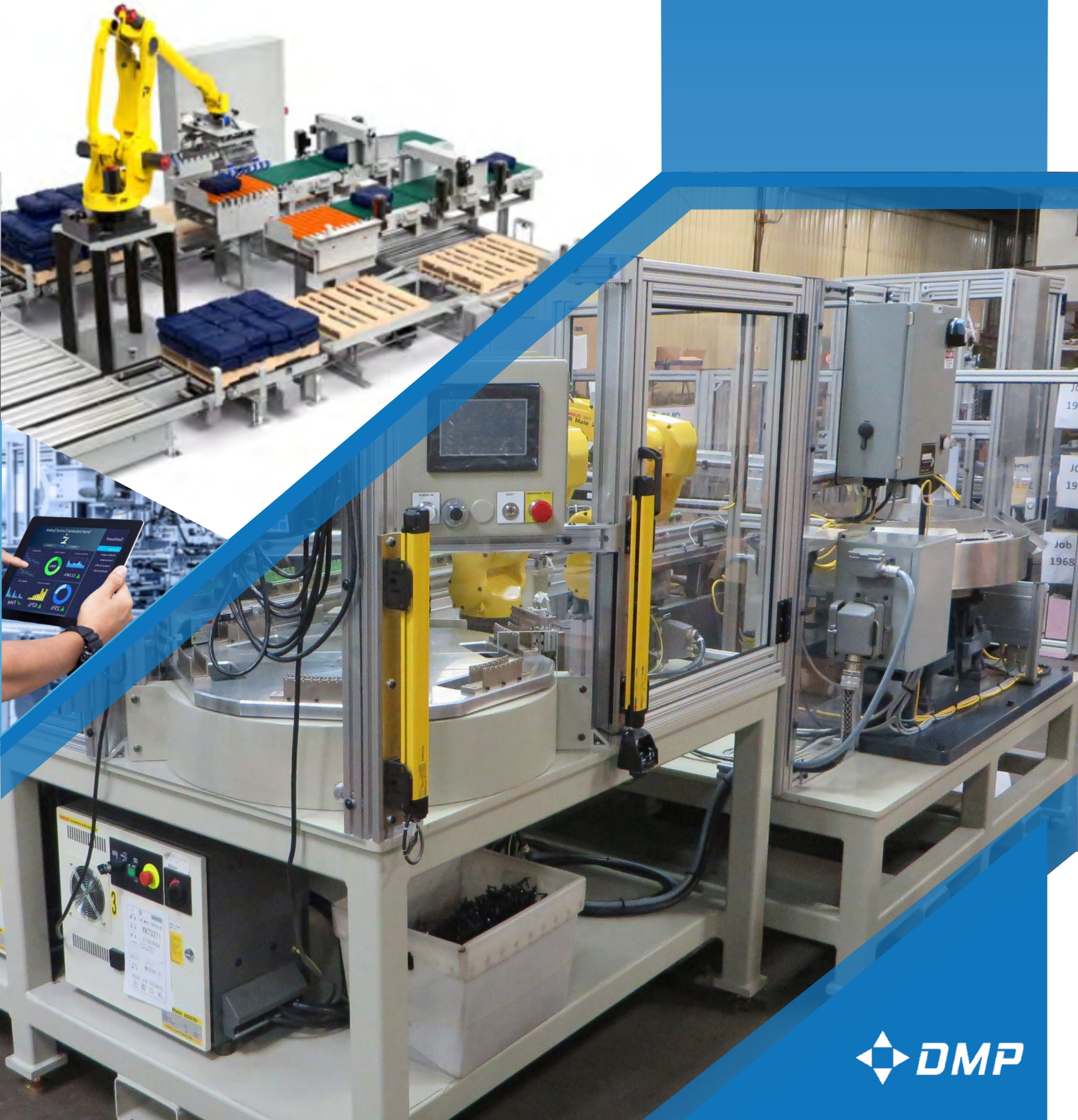
**DMP MACHINERY COMPANY LIMITED**



---

# COMPANY PROFILE

---



# Brochure of **CONTENTS**

<b>○ BROCHURE OF CONTENT</b>	<b>2</b>
<b>○ OUR COMPANY - COREVALUES</b>	<b>3</b>
<b>○ BUSINESS AREAS</b>	<b>4</b>
<b>○ AUTOMATION SOLUTION</b>	<b>5 - 6</b>
<b>○ PALLETIZER SYSTEM</b>	<b>7</b>
<b>○ FULLY AUTO STRETCH WRAPPER</b>	<b>8</b>
<b>○ SEMI - AUTO STRETCH WRAPPER</b>	<b>8</b>
<b>○ PALLET STRAPPING MACHINE</b>	<b>8</b>
<b>○ CONVEYOR</b>	<b>9</b>
<b>○ WORKING TABLE - TROLLEY</b>	<b>10</b>

# OUR COMPANY

## About Us

“ **DMP MACHINERY DESIGN COMPANY LIMITED** is a specialized unit in the field of consulting solutions, designing, manufacturing, supplying and installing auxiliary equipment for applications in the manufacturing industries:

- *Electronics and Telecommunication*
- *Sewing default - Leather shoes*
- *Create auto parts - Computer*
- *Processed foods*

With a team of experienced, well-trained engineers. We are committed to: Providing diversified, quality solutions, products and services, suitable prices, competitiveness for a customer's product.”



## Core values

“ **DMP MACHINERY DESIGN COMPANY LIMITED** establishes 5 core values as the foundation for brand building and a necessary condition to achieve current and future strategic goals”

- **People** are the core factor.
- **Financial** capacity and facilities are the foundation.
- **Science and technology** is a competitive factor.
- **Cooperation** for mutual benefit.
- **Responsibility** to the community for sustainable development.

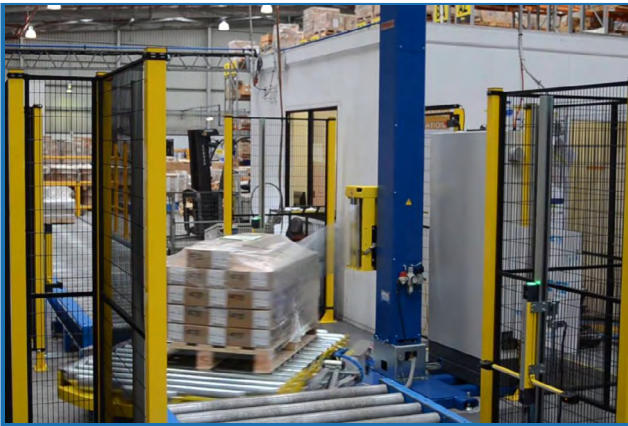
# Business Areas



*AUTOMATION SOLUTION*



*PALLETIZER SYSTEM*



*FULLY AUTO STRETCH WRAPPER*



*SEMI-AUTO STRETCH WRAPPER*



*PALLET STRAPPING MACHINE*



*CASE ERECTOR*

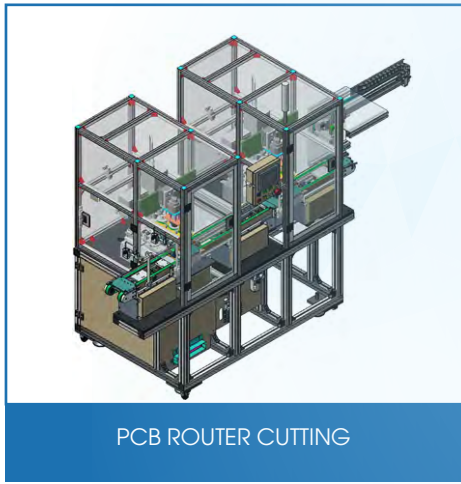


*CONVEYOR*

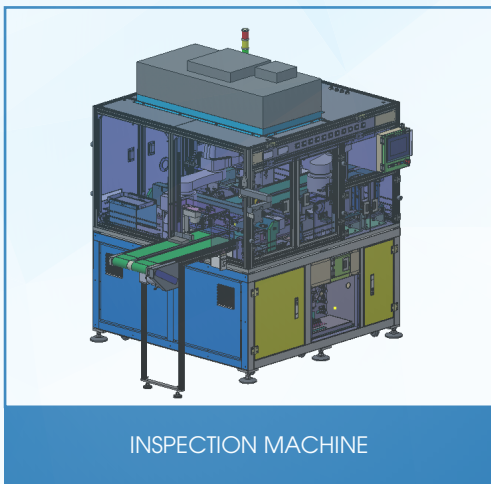


*WORKING TABLE*

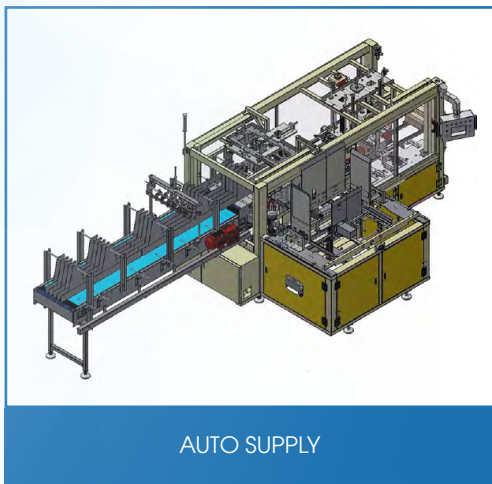
# AUTOMATION SOLUTION



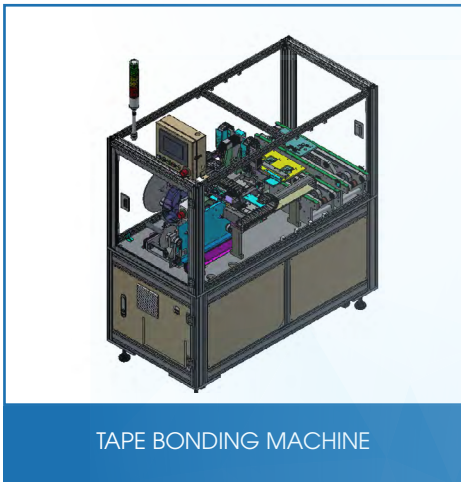
PCB ROUTER CUTTING



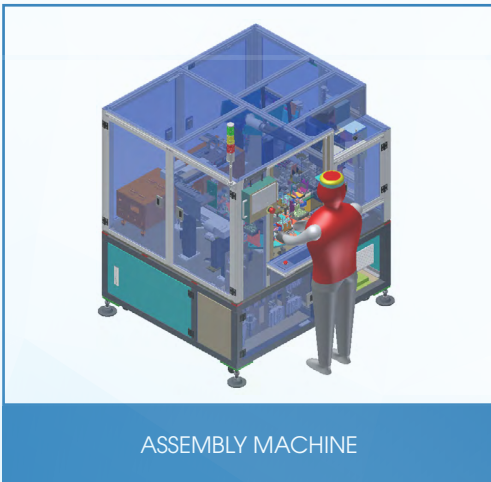
INSPECTION MACHINE



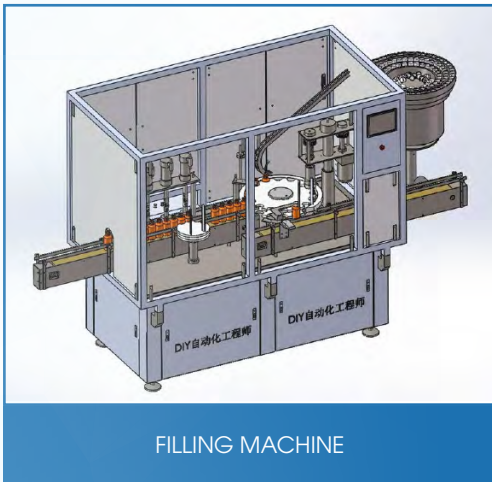
AUTO SUPPLY



TAPE BONDING MACHINE



ASSEMBLY MACHINE

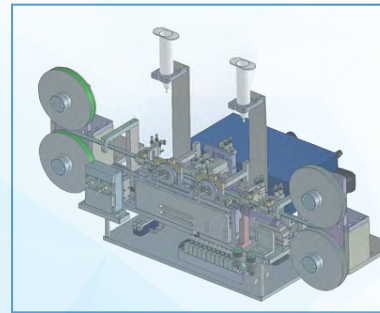
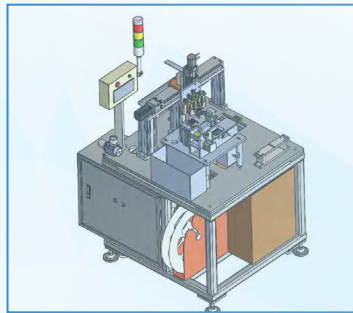
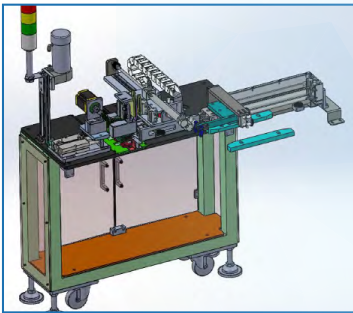
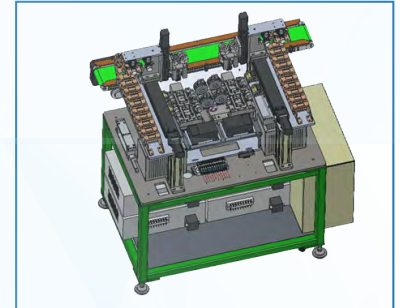
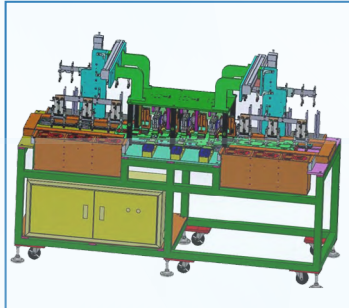
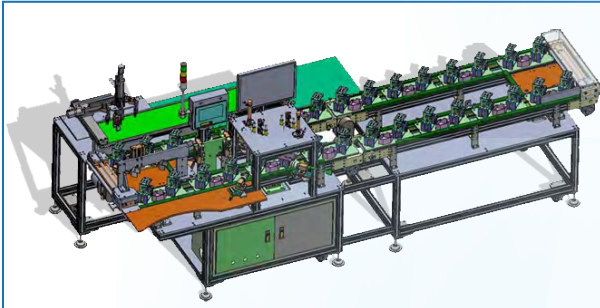
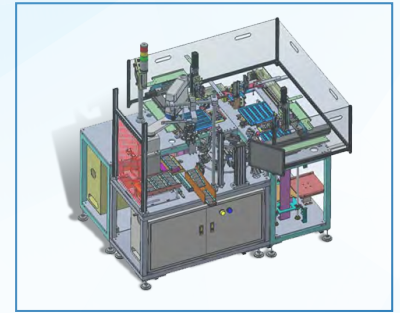
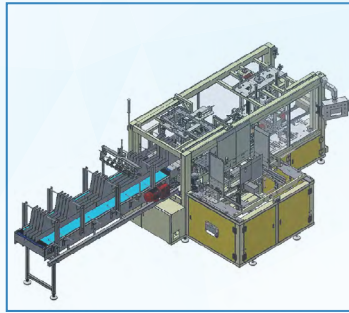


FILLING MACHINE

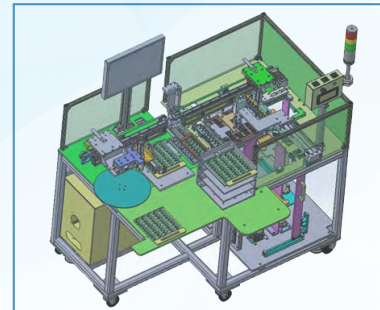
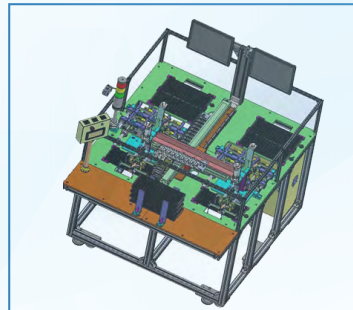
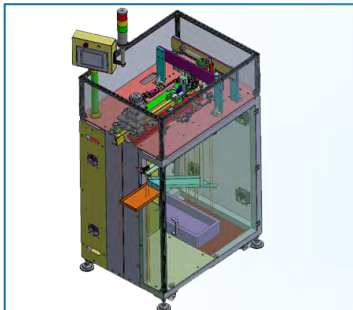
# AUTOMATION LINE/ MACHINE

## TECHNOLOGY:

- Vision inspection
- Robot application
- Machine assembly follow customer design



## CLEANING MACHINE



## INSPECTION MACHINE, VISION

## IMAGE



INSPECTION MACHINE

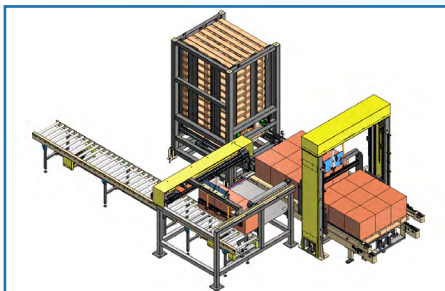


LASER MARKING MACHINE

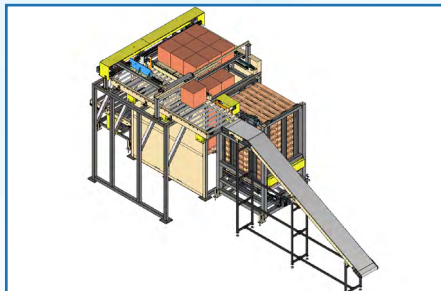


INSPECTION MACHINE

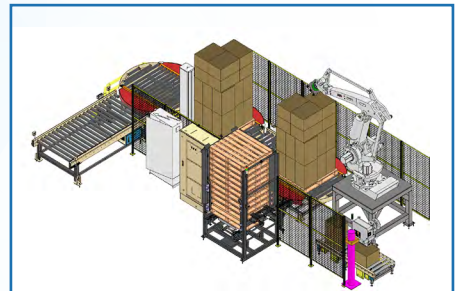
# PALLETIZER SYSTEM



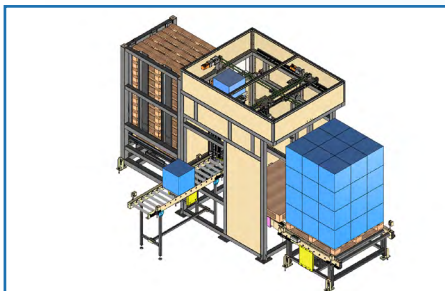
LOW LEVEL INFEEED PALLETIZER



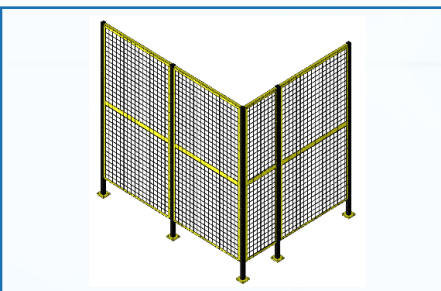
HIGH LEVEL INFEEED PALLETIZER



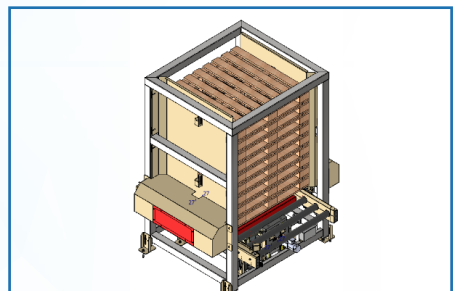
ROBOT PALLETIZER



SERVO AXIS PALLETIZER



HÀNG RÀO BẢO VỆ



MÁY CẤP PALLET TỰ ĐỘNG

# FULLY AUTO STRETCH WRAPPER



FULLY AUTO STRETCH WRAPPER



FULLY AUTOMATIC IN-LINE TOP SHEET DISPENSER

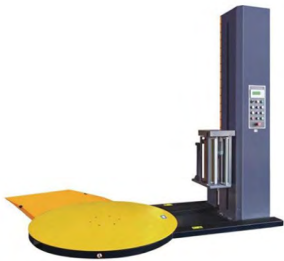


FULLY AUTO PALLET STRETCH WRAPPER



FULLY-AUTO PALLET WRAPPER & TOP SHEET DISPENSER

# SEMI-AUTO STRETCH WRAPPER



PALLET WRAPPER POWER PRE-STRETCH



PALLET WRAPPER WITH TOP PRESS ARM



PALLET WRAPPER WITH M-TYPE TURNTABLE



PALLET WRAPPER MECHANICAL BRAKE



FULLY AUTOMATIC VERTICAL PALLET STRAPPING MACHINE



SIDE SEALED PALLET STRAPPER - VERTICAL STRAPPING WITH TOP PRESS ARM



HORIZONTAL PALLET STRAPPING MACHINE

# PALLET STRAPPING MACHINE

# CONVEYER



FREE FLOW CHAIN CONVEYOR



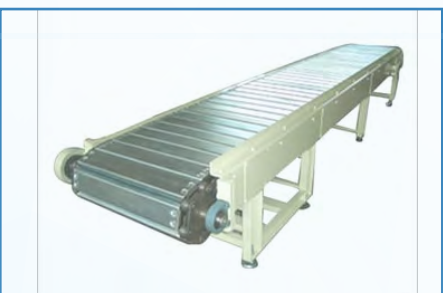
BELT CONVEYER



DIVERTER CONVEYOR



ROLLER CONVEYOR

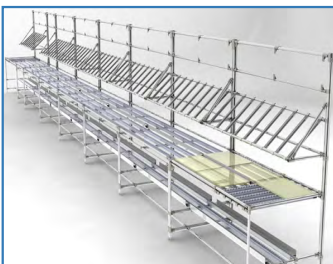


SLAT CHAIN CONVEYOR



PLASTIC CHAIN CONVEYOR

# WORKING TABLE



# Trolley





## CONTACT US

### DMP MACHINERY COMPANY LIMITED

 Address: No.25 Alley 193/15 Cau Coc Street, Tay Mo Ward, Nam Tu Liem District, HaNoi

 Phone: 097.3992.528

 Email: Xuan.nh@dmpmachinery.vn